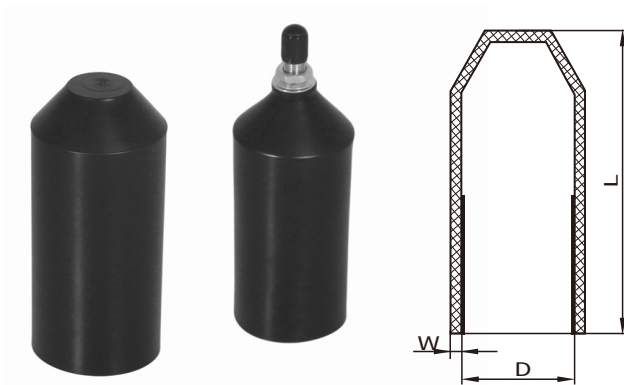


## Heat Shrink Cable End Cap

### TECHNICAL DATA SHEET

Revision Number. 1

Last Edited 26. september 2024



- Manufactured from polyolefin, applied as insulation of power and telecommunication cable ends.
- Used to seal cable ends during installation or storage, protecting cable ends against oxidation, ozone, UV, etc.
- Coated with hot-melt adhesive to ensure reliable seal of cable ends.
- Flame-retardant end caps are available upon customer request.
- Available with valve if required.
- Shrink temperature: start at 90°C, and fully recovered at 130°C.

### Selection Table

Spec.	As Supplied (mm)			After Recovered	
	Inner Diameter (D) Min	Wall Thickness (T) ( $\pm 20\%$ )	Height (L) ( $\pm 5$ )	Inner Diameter (D) Max	Wall Thickness (T) ( $\pm 10\%$ )
LSXE-12	12	1.0	45	5	2.5
LSXE-16	16	1.0	70	8.5	2.5
LSXE-20	20	1.0	70	8.5	2.5
LSXE-25	25	1.0	80	11	2.5
LSXE-30	30	1.3	95	16	2.8
LSXE-35	35	1.0	95	18	2.6
LSXE-40	40	1.1	95	18	2.6
LSXE-55	55	1.0	125	26	2.7
LSXE-75	75	1.3	145	31	3.2
LSXE-100	97	1.3	140	40	5.2
LSXE-120	117	1.3	155	57	4.0
LSXE-140	140	1.3	185	63	4.0
LSXE-160	158	2.1	270	95	4.0
LSXE-180	180	2.1	270	95	4.0
LSXE-200	200	1.5	270	95	4.0
LSXE-250	245	1.5	270	95	4.0

Remark: The hot-melt adhesive comes in two forms: flat adhesive and spiral adhesive, which can meet different customer needs.

### Technical Data

Property	Test Method	Standard Value
Tensile Strength	ASTM-D-638	$\geq 12\text{MPa}$
Elongation at Break	ASTM-D-638	$\geq 300\%$
Volume Resistivity	IEC 60093	$\geq 1 \times 10^{13} \Omega \cdot \text{cm}$
Dielectric Strength	IEC 60243	$\geq 15\text{kV/mm}$
Brittle Temperature	ISO 974	$-40^\circ\text{C}$
Heat Shock	160°C, 4h	No Crack
Water Absorption(23 $\pm$ 2)°C 24h	ISO 62	$\leq 0.1\%$
Hardness (Shore A)	ISO 868	$\geq 80$